

EL 5/30A SINGLE-PHASE ACTIVE ENERGY METER

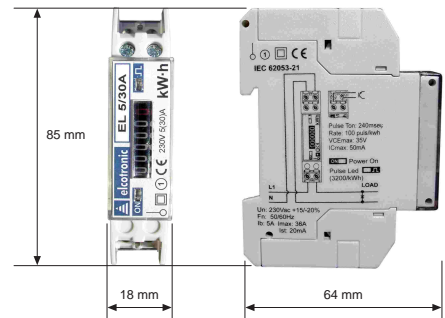
TECHNICAL SPECIFICATIONS

- Rated current: 5/36 Amp.
- Rated voltage: 230Vac $\pm 15\%$
- Power ON led
- Pulse length: 240 ms.
- Min. current: 20 mA
- 100 pulses 1 Kwh output
- Counting range: Kwh 99,999.9
- Resolution 0.1
- Accuracy class 1
- Size: 1 DIN-module
- Protection Rating: IP20
- IEC Standard: 62053-21
- Temperature range: -10 +55°C
- Max relative humidity: 90%



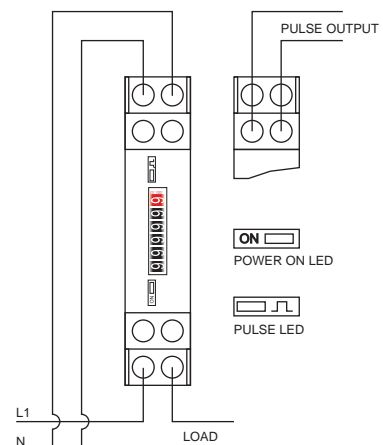
COMPACT SIZE

1-module DIN-rail version to be easily fitted in any electrical board.



WIRING DIAGRAM

Error-free system for an easy & fast connection which cuts down wiring costs.



Examples of EL 5/30A applications: Private Homes - Industry - Automation
Camping Sites - Tourist Villages - Residence - Marinas - Trade Centers